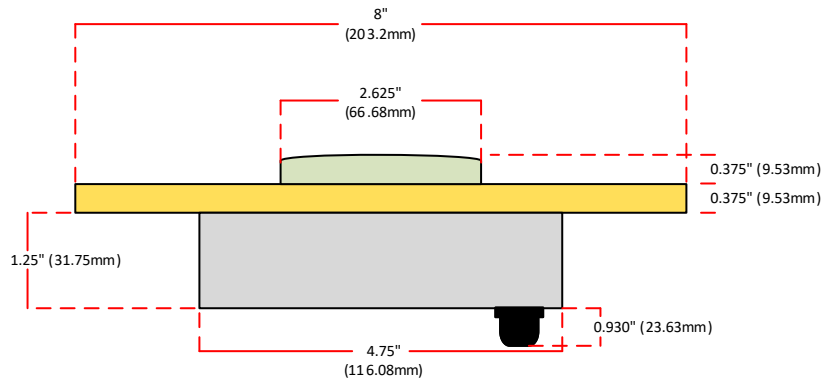




FLP-HELI-I-XX

Side view

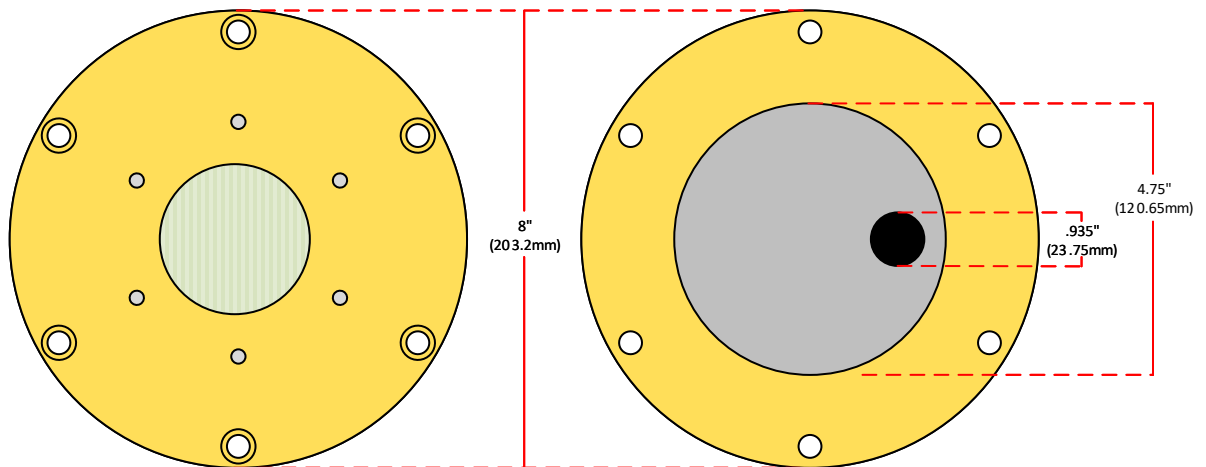


Advanced features of our lighted inset helipad light:

- Standard L-867 hole pattern
- Ultra low power 5W LED
- 50,000+ hour life expectancy
- Shallow 2.5" (63.5mm) mounting depth
- True IP67 watertight seal
- Highest quality all aluminum construction
- Aluminum parts powder coated for extreme durability
- FAA Engineering brief 67 compliant
- NVG compatible option
- Very affordable

Top view

Bottom view



LED Airport Lighting

8567 Coral Way, Unit 121, Miami, FL 33155

Phone: (305) 790-6157

www.ledairportlighting.com

FLP-HELI-I-

100-240VAC.....	HV
6.6A constant current.....	66
12-24VDC.....	LV



All Faias Lighting Products are made in our facility located in Nashua, New Hampshire, USA. Our Heli-pad lights all have a limited warranty of one year with a four year warranty on the LED bulb. Please contact your authorized representative or distributor for more details or RFQ.

Replacement parts

Lens.....INSET-001
Inset green LED bulb.....INSET-004

Optional parts

4" deep HELI can....FLP-HELI-CAN-4
6" deep HELI can....FLP-HELI-CAN-6
NVG version.....FLP-HELI-I-XX-NVG

Specifications subject to change without notice.

LED  **Airport Lighting**

8567 Coral Way, Unit 121, Miami, FL 33155

Phone: (305) 790-6157

www.ledairportlighting.com

Phone: (305) 790-6157
Sales: www.ledairportlighting.com

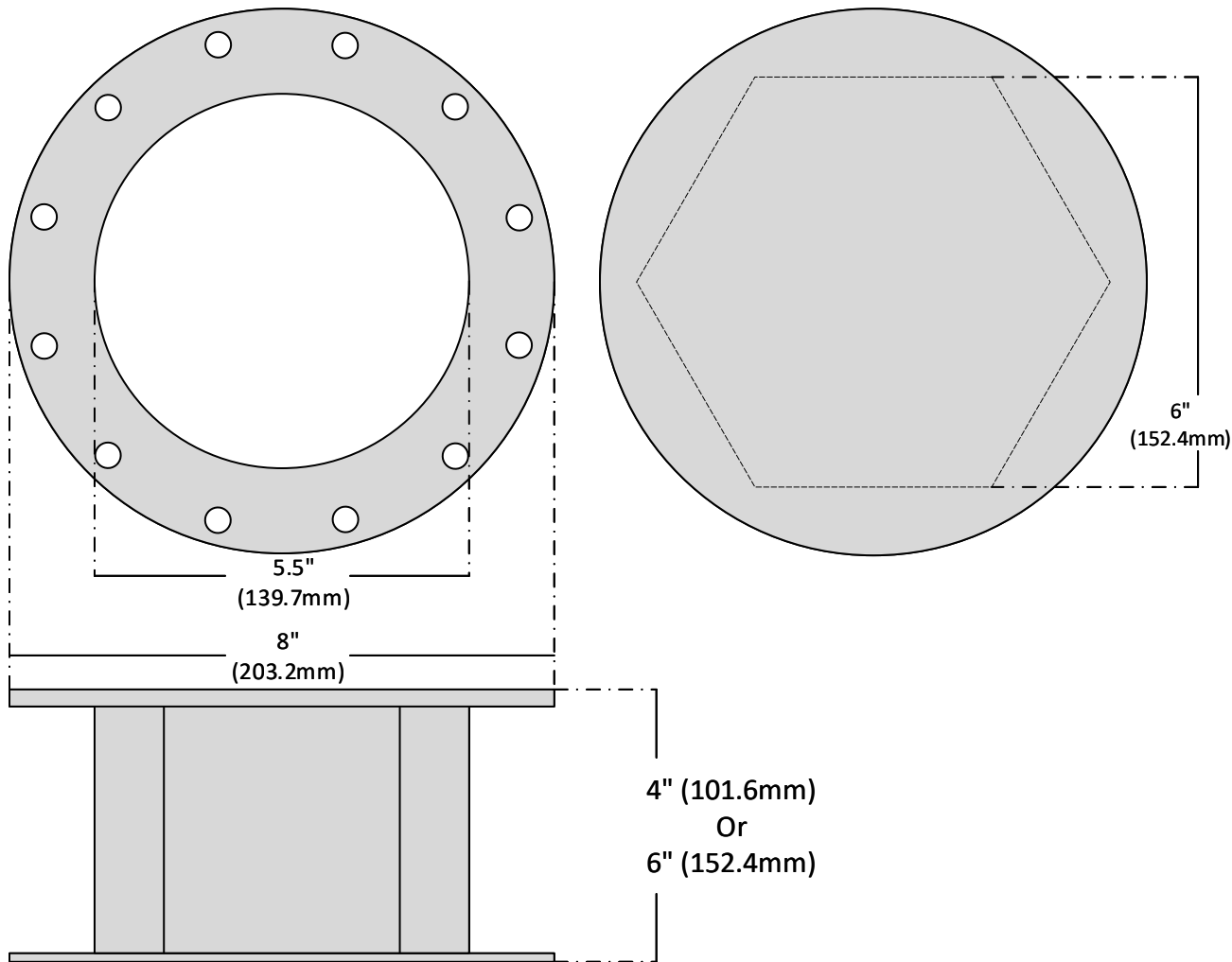
51 Lake St. Nashua, NH 03060 www.flp-inc.com
Proudly made in the USA





FLP-HELI-CAN-

4" (101.6mm) deep - 4
6" (152.4mm) deep - 6



Twelve 3/8-16 threaded holes spaced on a 7.25" (184.15mm) diameter per FAA standard bolt pattern.

Connector holes are drilled to order.

Specifications subject to change without notice.

LED → Airport Lighting

8567 Coral Way, Unit 121, Miami, FL 33155

Phone: (305) 790-6157

www.ledairportlighting.com