

**NOTE: New FAA certified LED L861T, L861, and L861E coming soon**

recommended by

**LED** → Airport Lighting

www.ledairportlighting.com

# LTE



## LED TAXIWAY ELEVATED EDGE LIGHT

### COMPLIANCES

FAA: L-861T(L) AC150/5345-46 and EB No.67

ICAO: Annex 14 - Volume I par. 5.3.17.8

IEC: TS 61827



### APPLICATIONS

Taxiway edge for FAA, ICAO and military taxiways

### BENEFITS

- 60,000 hours LED rated life at full intensity, but over 100,000 hours in field operating conditions
- LED lights have lower power consumption requiring smaller CCRs and transformers, and thus overall lower life cycle costs
- The light output varies similar to a traditional halogen lamps, meeting the requirements of FAA Engineering Briefing No.67
- The Color is emitted directly by the LEDs resulting in greater efficiency.
- Fully compatible with most existing Air Field infrastructure.
- Designed with simplicity in mind allowing longer maintenance intervals and requiring fewer spare parts
- Custom lens gaskets are used to avoid the use of sealing compounds
- No optical adjustment is required for LED module or lens replacement
- Operating with any CCR designed in compliance with FAA or IEC requirements

### PERFORMANCES

- The electronics are built tough and resistant to shock and vibration
- Compatible with 50 or 60 Hz series circuits
- Surge protection is provided in the electronics in conformance with FAA Engineering Briefing No.67
- Internal fault protection is provided
- Lightweight and sturdy aluminium die-castings
- Powder coating surface finishing to provide good corrosion resistance
- Body balanced on the slipfitter for proper levelling by means of three screws
- High jet blast resistance due to the small size of the fixture, 250 mm high
- Protection degree: IP55
- Temperature range: -55°C to +55°C

### INSTALLATION

- The fixture can be installed on pipe elbow, stake or baseplate
- Specific tools available for easy and precise installation

**LED** → Airport Lighting

8567 Coral Way, Unit 121,  
Miami, FL 33155  
Phone: (305) 790-6157

email:sales@ledairportlighting.com

Manufactured by

**OCEM**®  
AirfieldTechnology

OC - 2

## PHOTOMETRIC PERFORMANCES

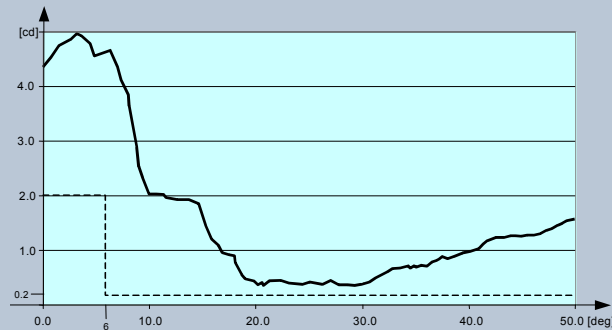


Fig. 1 ICAO par. 5.3.17.8 and FAA L-861T – Blue

recommended by

**LED** → Airport Lighting

[www.ledairportlighting.com](http://www.ledairportlighting.com)

— Over 75 years of Aviation Lighting Experience —

## TABLES

### POWER CONSUMPTION\*

Electrical System	1 Plug
Omnidirectional (w/o Arctic Kit)	6 VA
Omnidirectional (with Arctic Kit)	18 VA

\* Measured at 6.6 A and referred to the highest consumption configuration

### POWER FACTOR

Input Step	2.8 A	6.6 A
Power Factor	0.96	0.98

**LED** → Airport Lighting

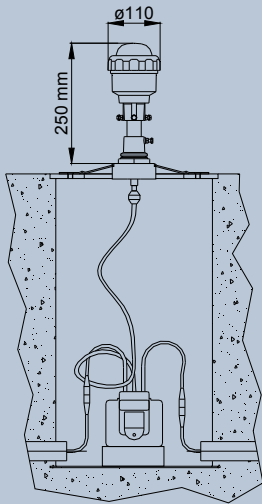
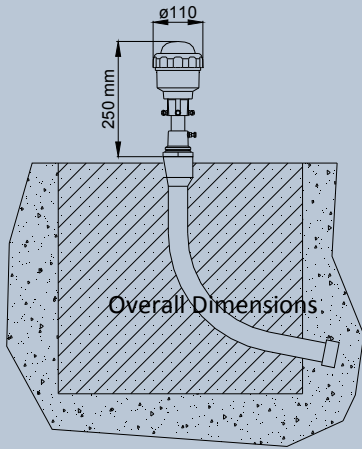
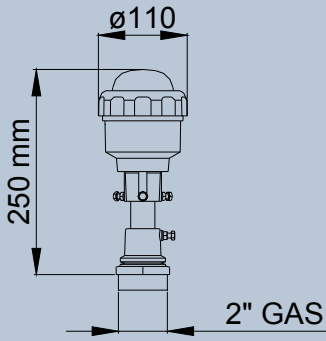
8567 Coral Way, Unit 121,  
Miami, FL 33155  
Phone: (305) 790-6157

Manufactured by

**OCEM**®  
AirfieldTechnology

email: [sales@ledairportlighting.com](mailto:sales@ledairportlighting.com)

OC - 2



**LTE - F - 25 - A - M - A**

**Basic P/N:** \_\_\_\_\_

**Compliance:** \_\_\_\_\_

I = ICAO – IEC

S = STANAG

F = FAA

**Height:** \_\_\_\_\_

25 = 250 mm (10 inch)

28 = 280 mm (11 inch)

32 = 320 mm (12 inch)

35 = 350 mm (14 inch)

50 = 500 mm (20 inch)

61 = 610 mm (24 inch)

76 = 760 mm (30 inch)

**Breakable Coupling:** \_\_\_\_\_

A = 1 1/2 – 12 UNF

B = 2" – 11 1/2 NPS

C = 2" GAS

**Monitoring:** \_\_\_\_\_

0 = Without Monitoring

M = With Monitoring

**Arctic Kit:** \_\_\_\_\_

0 = Without Arctic Kit

A = With Arctic Kit

recommended by

**LED** → Airport Lighting

[www.ledairportlighting.com](http://www.ledairportlighting.com)

**LED** → Airport Lighting

8567 Coral Way, Unit 121,

Miami, FL 33155

Phone: (305) 790-6157

Manufactured by

**OCEM**<sup>®</sup>  
AirfieldTechnology

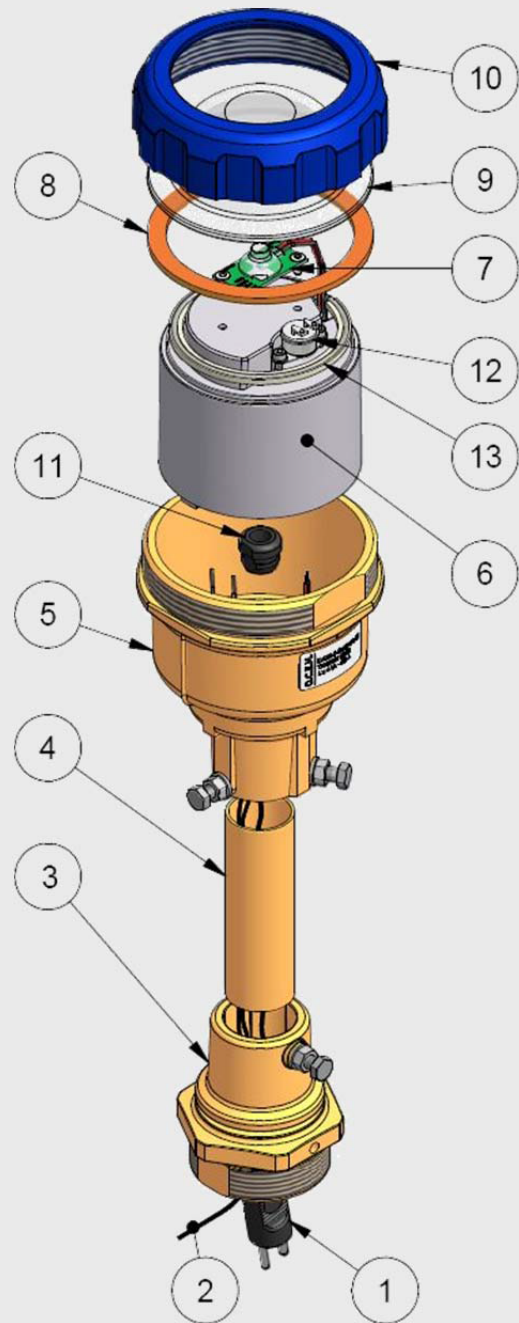
email: [sales@ledairportlighting.com](mailto:sales@ledairportlighting.com)

OC - 2

## RENEWAL PARTS FOR LIGHT UNIT

- 1 FAA L-823 plug
- 2 Fixture grounding wire
- 3 Breakable coupling
- 4 Standard 1-inch tube
- 5 Body with slipfitter
- 6 Electronic
- 7 LED module with accessories
- 8 Gasket for lens
- 9 Lens
- 10 Lens locking ring
- 11 Cable gland
- 12 Arcti kit thermostat
- 13 Arcti kit heater

Refer to the relevant technical manual for the complete list of the available spare parts



### Shipping Weights and Volumes

	Light Unit
Weight lbs. (kg)	3 (1.3)
Volume ft <sup>3</sup> (m <sup>3</sup> )	0.17 (0.005)

recommended by

**LED** → Airport Lighting

[www.ledairportlighting.com](http://www.ledairportlighting.com)

**LED** → Airport Lighting

8567 Coral Way, Unit 121,  
Miami, FL 33155  
Phone: (305) 790-6157

Manufactured by

**OCEM**<sup>®</sup>  
AirfieldTechnology

OC - 2